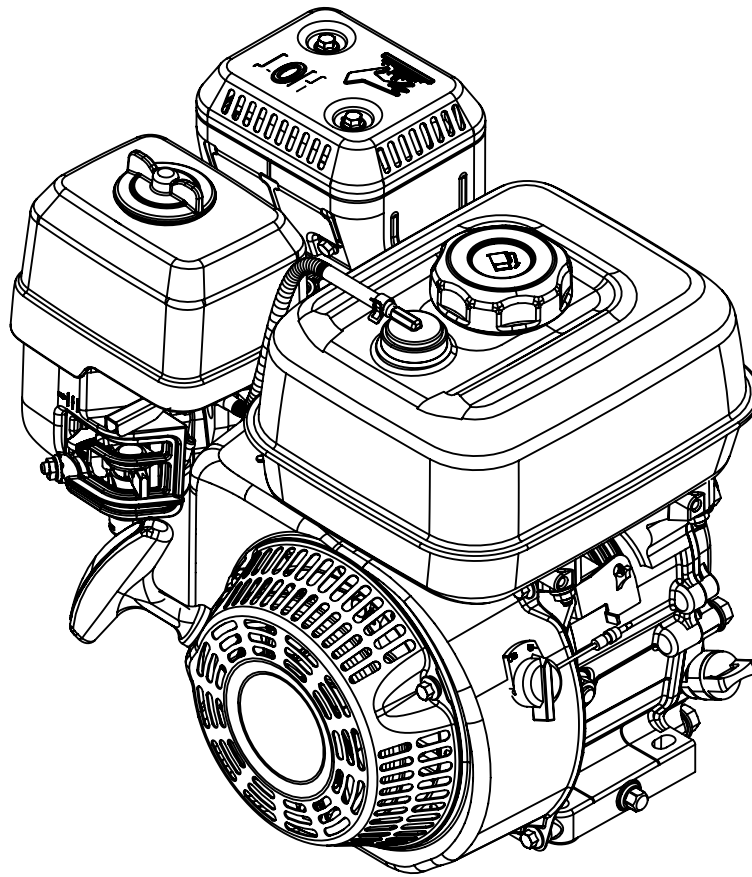


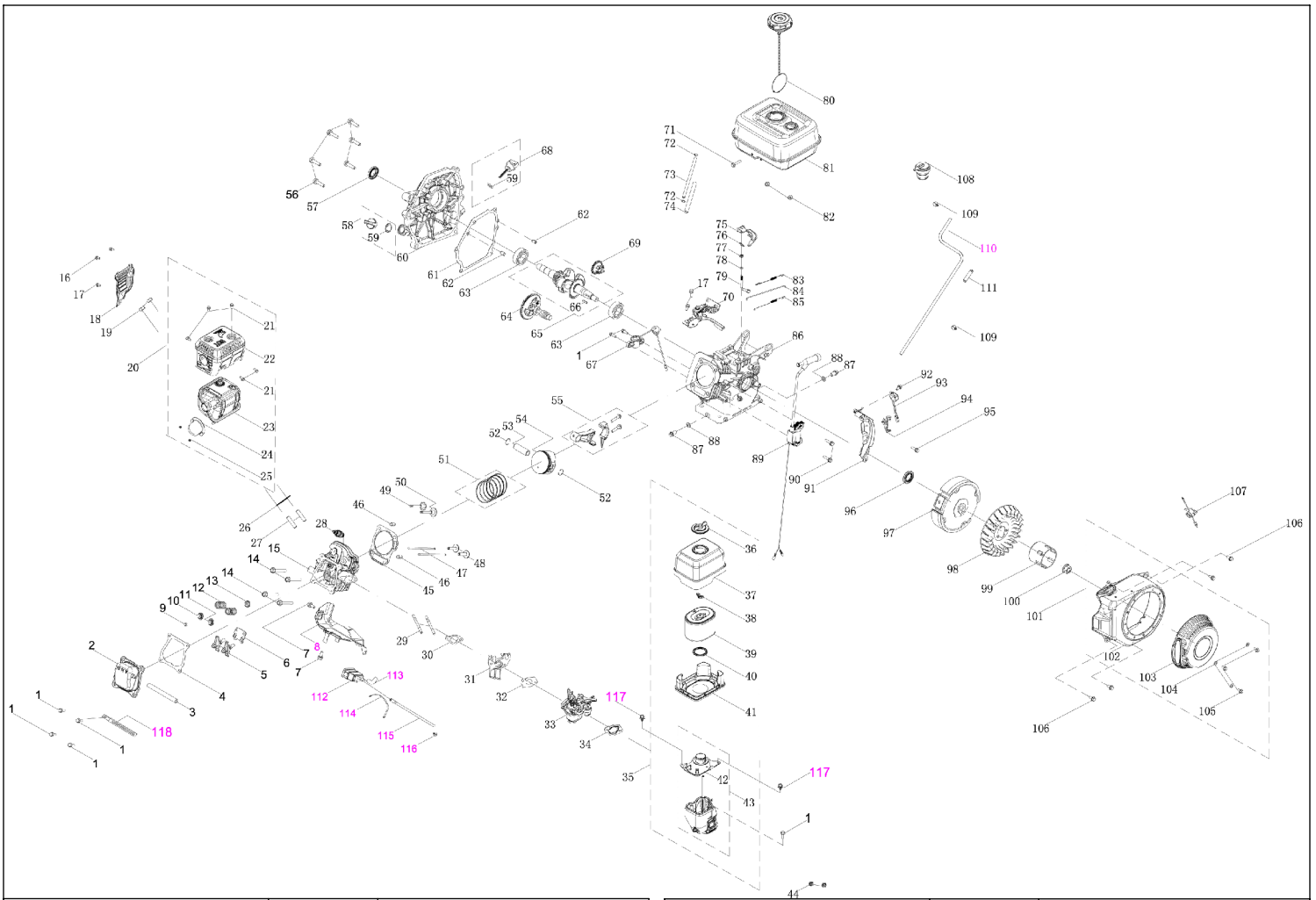
SIMPSON/DEWALT 208CC ENGINE PARTS LIST

ENGINES COVERED IN THIS MANUAL

100690	DeWalt 208cc, ELECTRIC START/CHOKE (PRESSUREADY)
100696, 100698	208CC 49 STATE EMISSIONS
100697, 100699	208CC 50 STATE EMISSIONS
100731	208CC, ELECTRIC START, 50 STATE EMISSIONS



NAME		DATE	FNA-GROUP 1265 INDUSTRIAL STREET, DECATUR, AR 72722		
DRAWN	JHS	5/3/2018			
CHECKED	DH/OSW	MAY 2018	TITLE: SIMPSON/DEWALT 208CC IPL 49&50 STATE		
ENG APPR.	OSW	MAY 2018			
MFG APPR.	-	-			
Q.A. APPR.	-	-			
SERVICE APPR.	DH	MAY 2018			
PROPRIETARY AND CONFIDENTIAL THE INFORMATION CONTAINED IN THIS DRAWING IS THE SOLE PROPERTY OF FNA-GROUP. ANY REPRODUCTION IN PART OR AS A WHOLE WITHOUT THE WRITTEN PERMISSION OF FNA-GROUP IS PROHIBITED.			SIZE	DWG. NO.	REV.
			A	SIMPSON 208CC IPL	A
			SCALE: N/A	ECN# EC180271	SHEET 1 OF 2



ITEM #	PART #	DESCRIPTION	ITEM #	PART #	DESCRIPTION
1-4	7111111	ROCKER COVER KIT	66	7111126	WOODRUFF KEY
1-6, 9-15, 26-30, 45-46, 49-50	7111112	CYLINDER HEAD KIT	17, 70, 75-78, 83-85	7111127	GOVERNOR KIT
30-34	7111113	CARBURETOR KIT	58, 59, 68	7111128	DIPSTICK KIT
35	7111114	AIR INTAKE KIT	87, 88	7111129	OIL DRAIN PLUG
39	7111115	AIR FILTER ELEMENT	4, 26, 45, 57, 61, 96	7111130	GASKET & SEAL KIT
51	7111116	PISTON RINGS	1, 14, 56, 62, 46, 71, 90, 95, 100, 106	7111131	HARDWARE KIT
52-54	7111117	PISTON	89, 90	7111132	IGNITION COIL KIT
55	7111118	CONNECTING ROD	16-25	7111133	MUFFLER KIT
48, 64	7111119	CAM & TAPPET SET	NOT SHOWN, INCLUDES STARTER AND HARDWARE	7111134	ELECTRIC START KIT
71-74, 80-82, 108-110	7111120	FUEL TANK KIT	8, 110, 112-118	7111135	50 STATE EMISSIONS KIT
80	7111121	FUEL CAP	NOT SHOWN, INCLUDES STARTER, WIRING HARNESS, ELECTRIC CHOKE	7111136	PressuReady ELECTRICAL KIT
92, 93, 107	7111122	KILL SWITCH KIT	51-69, 75-79, 96	7111137	SHORT BLOCK KIT
102-106	7111123	RECOIL & SHROUD KIT			
103	7111124	RECOIL STARTER			
98-100	7111125	STARTER CUP/FAN KIT			